

KOLLU PANO KİLİTLERİ

SWING HANDLES

018-1

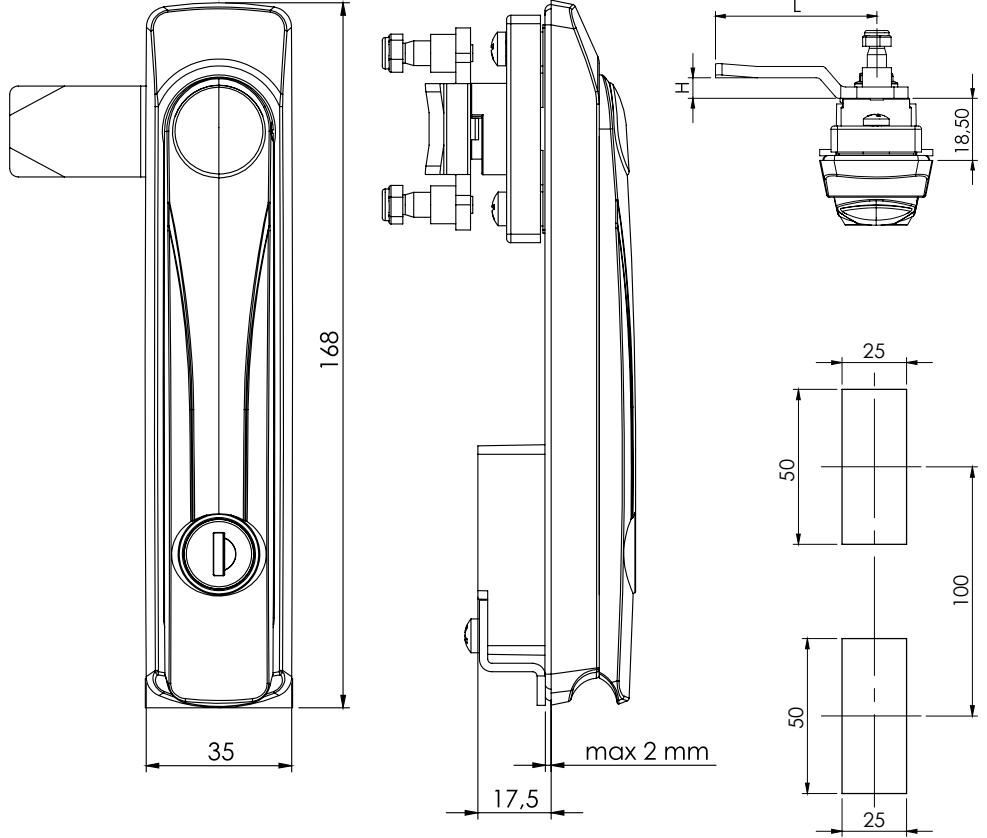
Kollu Pano Kilidi / Swing Handle

IP65

L / R



Asma Kilit
Padlock Device Selectable



KULLANIM ALANLARI:

Elektrik Panoları, Makine Kapakları, Bilgisayar Kabinleri

APPLICATIONS:

Electric Panels, Machinery Covers, Rack Cabinets

MALZEME / MATERIAL	
GÖVDE BODY	Poliamid Polyamide
KOL HANDLE	Poliamid Polyamide
DİL CAM	Çelik Steel
CONTA SEAL	Poliüretan Polyurethane

Kod
Code
018-1

Barel
Cylinder
CC

Dil
Cam
CM

Asma Kilit İçin

A

Padlock Device

BAREL / CYLINDER TYPE (CC)	CODE
Aynı Şifreli / Keyed Alike	01
Farklı Şifre / Keyed Different	02
Eurokey (1333)	03
405 Aynı Şifre (Birbirini Açar) Keyed Alike	41
455 Aynı Şifre (Birbirini Açar) Keyed Alike	42

İSP. TIRNAKLI DİLLER / CAMS FOR ROD CONTROL (CM)							
CODE	03	020	053	054	055	064	
H	8	0	0	12	4	0	
L	49	51	60	54	52	55	

BAREL / CYLINDER TYPE (CC)		
33	5 mm / DB	
34	8 mm / Kare Square	
35	8 mm / Üçgen Triangle	

TIRNAKLI DİLLER / CAMS WITH STOPPER (CM)														
CODE	01	02	05	06	07	08	09	010	019	043	045	046	086	
H	14	24	0	16	6	12	0	7	0	0	4	10	6	
L	48	48	46	46	52	50	54	44	64	44	43	48	62	