

İSPANYOLET KOLLU PANO KİLİTLERİ

SWING HANDLE LOCKS WITH ROD CONTROL SYSTEM

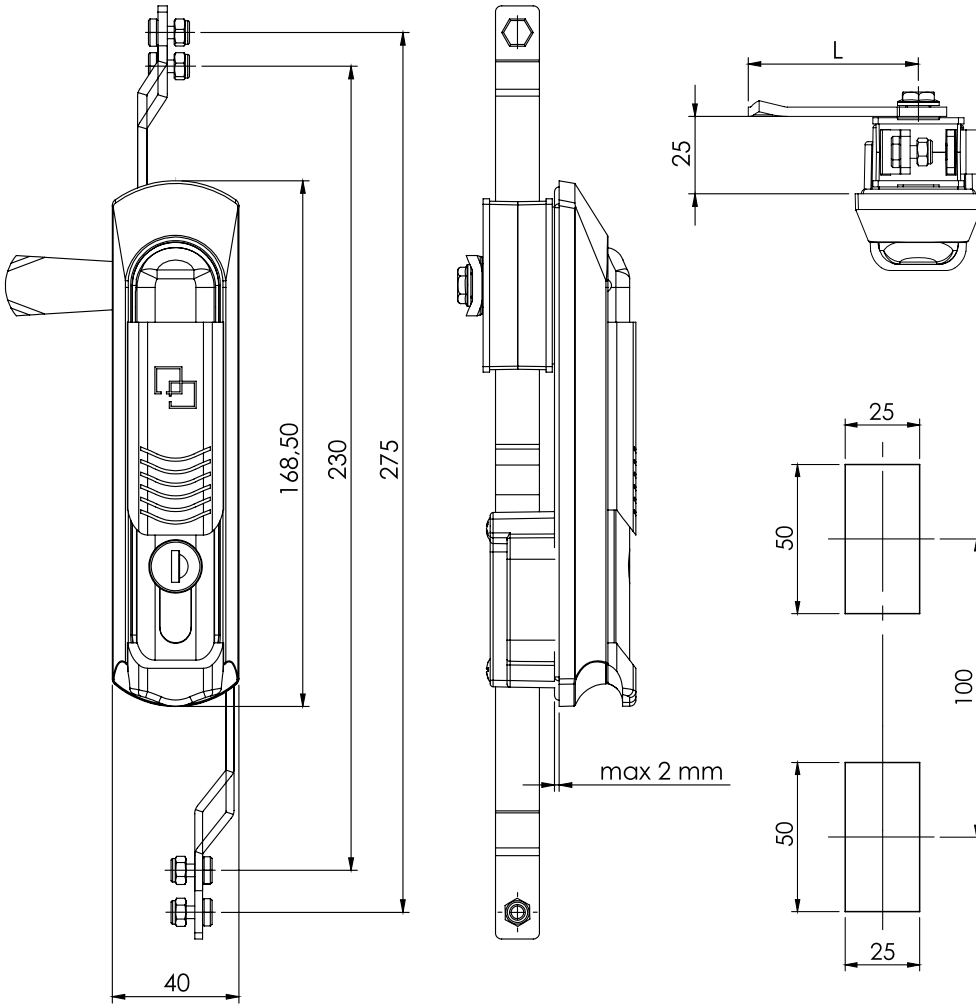
IP65

L / R



Kollu Pano Kilidi / Swing Handle

002



Asma Kilit
Padlock Device Selectable

Kod
Code

002

Mekanizma
Mechanism

M

Barel
Cylinder

CC

Dil
Cam

CM

Asma Kilit İçin

A

Padlock Device

KULLANIM ALANLARI:

Elektrik Panoları, Makine Kapakları,
Bilgisayar Kabinleri

APPLICATIONS:

Electric Panels, Machinery Covers,
Rack Cabinets

MEKANİZMA / MECHANISM	CODE
Zamak / Zinc Die	M1
Poliamid / Polyamide	M2

BAREL / CYLINDER TYPE (CC)	CODE
Aynı Şifreli / Keyed Alike	01
Farklı Şifre / Keyed Different	02
Eurokey (1333)	03

BAREL / CYLINDER TYPE (CC)	
04	5 mm / DB
05	8 mm Kare / Square
06	9 mm Üçgen / Triangle
08	10,5 mm Yarım Ay Half Round

TIRNAKSIZ DİLLER / CAMS WITHOUT STOPPER (CM)														
	CODE	01	02	05	06	07	08	09	010	019	043	045	046	086
	H	14	24	0	16	6	12	0	7	0	0	4	10	6
	L	48	48	46	46	52	50	54	44	64	44	43	48	62

MALZEME / MATERIAL	
GÖVDE BODY	Poliamid Polyamide
KOL HANDLE	Poliamid Polyamide
MEKANİZMA MECHANISM	Zamak veya Poliamid Zinc Die or Polyamide
ASMA HAMİL PADLOCK DEVICE	Pirinç Brass
DİL CAM	Çelik Steel
CONTA SEAL	Poliüretan Polyurethane