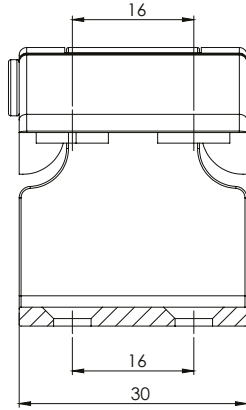
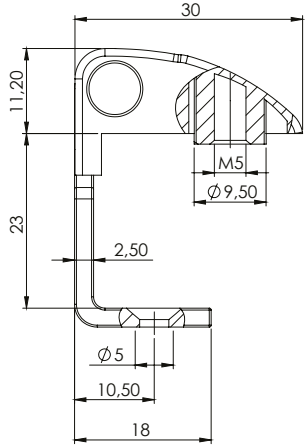
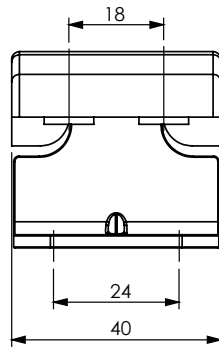
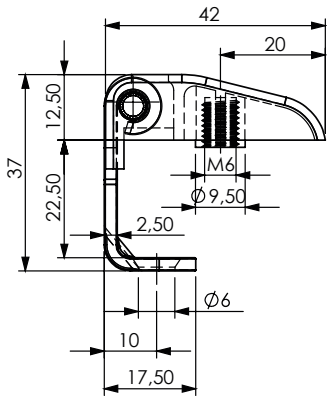


Pano Kapak Menteşesi / Panel Cover Hinge



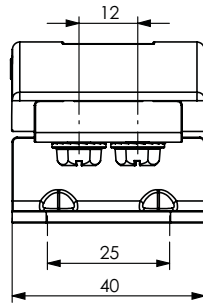
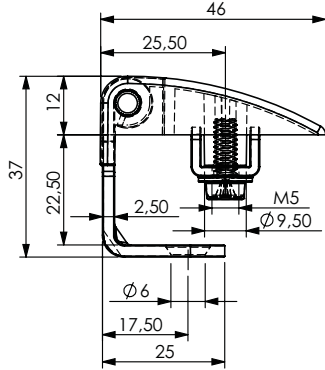
VERSION

**V3**



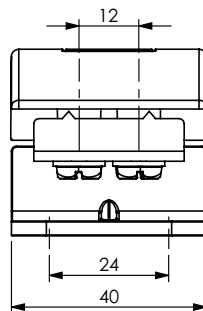
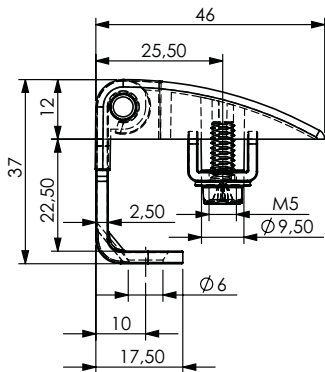
VERSION

**V5**



VERSION

**V7**



VERSION

**V9**

| YÜZEY / FINISHING                    | CODE |
|--------------------------------------|------|
| Krom Kaplama / Chrome Plated         | 1    |
| Siyah Toz Boya / Black Powder Coated | 2    |
| Ral 6034 / Ral 6034 Powder Coated    | 13   |

Kod  
Code

**331**

Version

**V**

Yüzey  
Finishing

**F**

**KULLANIM ALANLARI:**

Elektrik Panoları, Makine Kapakları,  
Jeneratörler

**APPLICATIONS:**

Electric Panels, Machinery Covers,  
Generators

**MALZEME / MATERIAL**

|                           |                   |
|---------------------------|-------------------|
| GÖVDE<br>BODY             | Zamak<br>Zinc Die |
| ARA PARÇA<br>WELDING PART | Çelik<br>Steel    |
| PİM<br>PIN                | Çelik<br>Steel    |